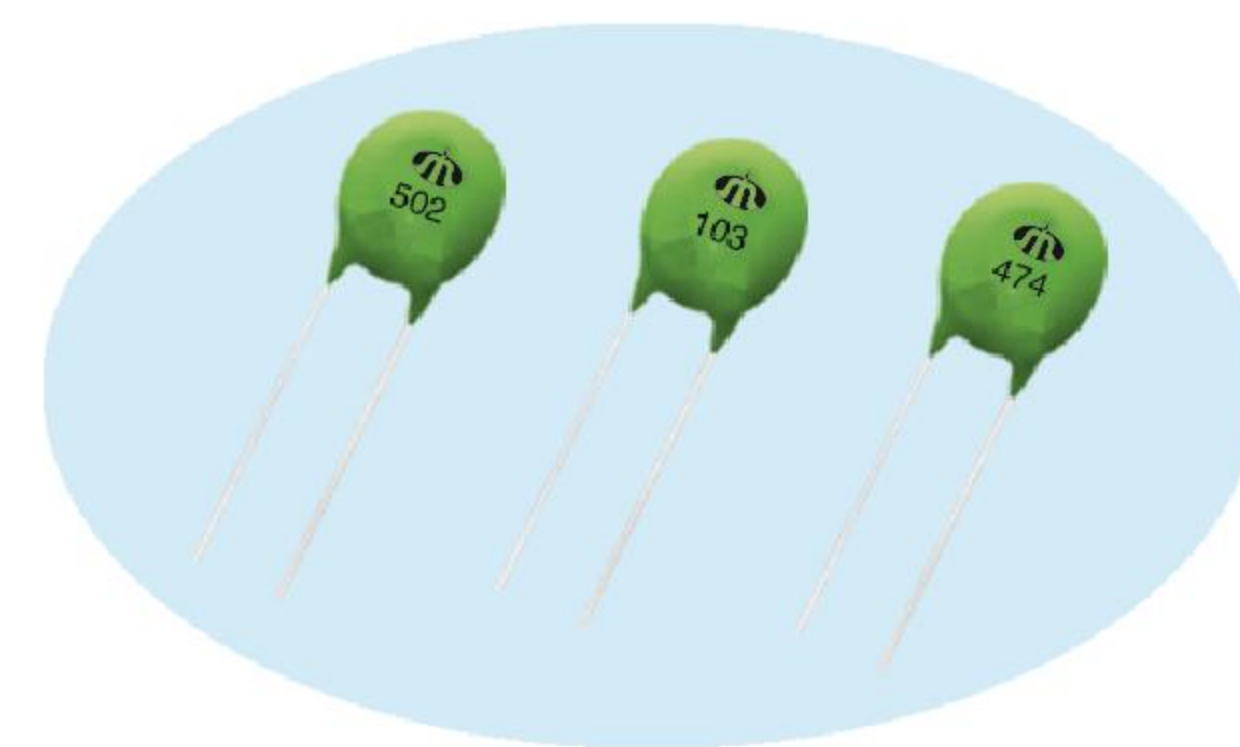


负温度系数(NTC)热敏电阻器

Negative Temperature Coefficient (NTC) Thermistor

MF11补偿型NTC热敏电阻器系列

MF11 Series Compensation Type NTC Thermistor



● 应用范围 Applications

用于一般精度的温度测量和在计量设备、电子电路中的温度补偿
Used for general accuracy temperature measurements and temperature compensation in measuring devices and electronic circuits.

● 安规认证 Certifications



UL1434 认证
UL1434 Certification
(File# E240991)

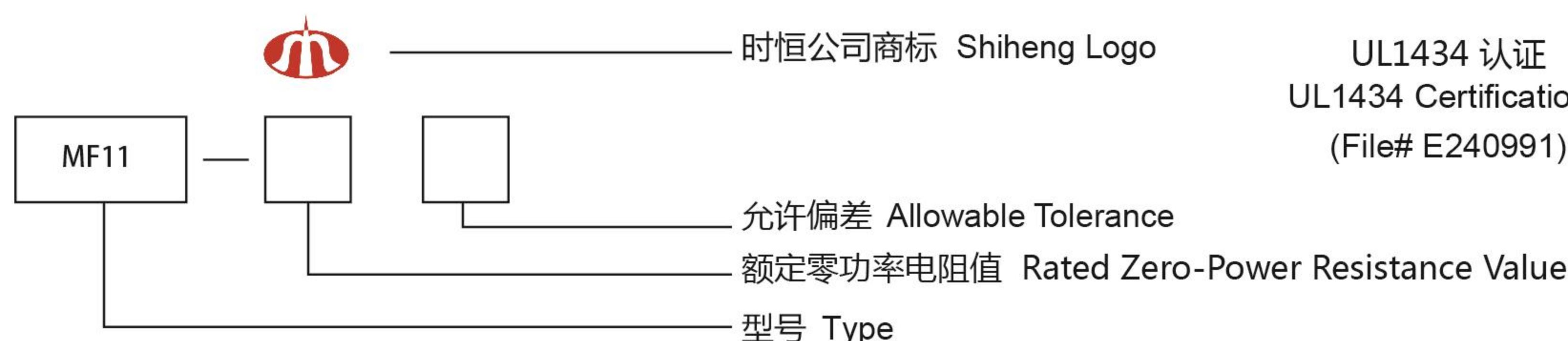


CQC认证
CQC Certification
(File# 13001089724)

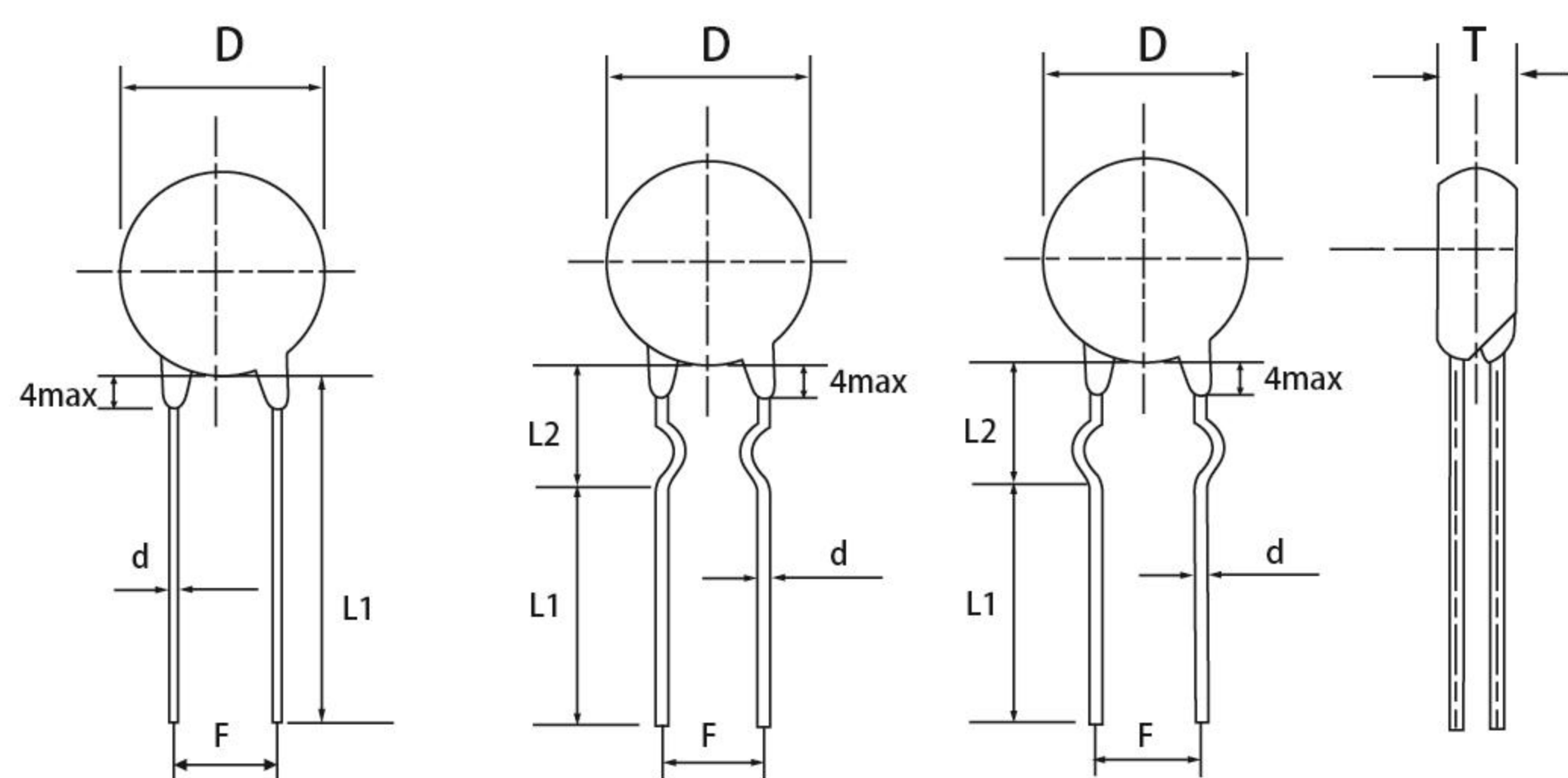


TUV认证
TUV Certification
(File# R50245892)

● 产品标志说明 Marking Instruction



● 外形尺寸 Dimensions (mm)



直引线
Straight Wires

弯引线
Bent Wires

尺寸 Dim. (mm)	代号 Code	D Max	L1 Min	L2±2	F±0.5	T Max	d±0.05
引线 Leads							
直线 Straight		6	25	/	2.5	4	0.45
内弯 Inward Bent		6	20	3.5	5	4	0.6
外弯 Outward Bent		6	20	5	2.5	4	0.45

● 主要技术参数 Main Technical Specifications

- ◎ 标称阻值及允差：见下表
- ◎ B值及允差：见下表
- ◎ 时间常数约：20秒
- ◎ 耗散系数约：4.5mW/°C
- ◎ 额定功率：450mW
- ◎ 使用温度范围：-30°C~+125°C
- ◎ Nominal Resistance Value and Allowable Tolerance: Refer to the Chart below.
- ◎ B Value and Allowable Tolerance: Refer to the Chart below.
- ◎ Time Constant: Approx. 20s.
- ◎ Dissipation Constant: Approx. 4.5 mW/°C
- ◎ Rated Power: 450mW
- ◎ Operating Temperature Range: -30°C~+125°C.

● 阻值、B值一览表 Resistance Value and B-Value Chart

型号 Part No.	25°C的零功率电阻值 Zero-Power Resistance at 25°C R ₂₅		B值 (25/50°C) B Value	
	阻值范围 Range (Ω)	允许偏差 Allowable Tolerance (%)	标称值 Rated Value (K)	允许偏差 Allowable Tolerance (%)
MF11	1.5~4.9	±5	2500	±10
	5~7		2600	
	8~24		2800	
	25~119		3000	
	120~359		3200	
	360~1400		3600	
	1.5K~5.9K		3950	
	6K~12K		4050	
	13K~17K		4150	
	18K~44K		4250	
	45K~79K		4300	
	80K~144K		4400	
	145K~199K		4500	
	200K~299K		4600	
300K~500K	4750			