

负温度系数(NTC)热敏电阻器

Negative Temperature Coefficient (NTC) Thermistor

MF58玻封测温型NTC热敏电阻器系列

MF58 Series Glass-Encapsulated Temperature-Measurement NTC Thermistor

● 应用范围

- 家用电器(如空调机、微波炉、电磁炉、多士炉、电风扇、电取暖炉等)的温度控制与温度检测
- 办公自动化设备(如复印机、打印机等)的温度检测或温度补偿
- 手机电池、电池组
- 仪表线圈、集成电路、石英晶体振荡器和热电偶的温度补偿

● Applications

- Temperature control and detection in household appliances such as air conditioners, microwaves, induction cookers, electric stoves, electric fans, electric heaters, etc.
- Temperature detection or compensation in office automation equipments such as copiers, printers, etc.
- Mobile phone batteries, battery packs.
- Temperature compensation for instrumentation coils, integrated circuits, quartz crystal oscillators, and thermocouples.

● 特点

- 稳定性好、可靠性高
- 阻值范围宽、精度高
- 可在高温和高湿等恶劣环境下使用
- 体积小、重量轻、结构坚固，便于自动化安装
- 热感应快、灵敏度高。

● Features

- Excellent Stability and High Reliability.
- Wide Resistance Range, High Accuracy.
- Suitable for Operation in Harsh Environments, including High Temperatures and High Humidity.
- Compact Size, Lightweight, Sturdy Structure, Suitable for Automatic Installation.
- Fast Thermal Response and High Sensitivity.

● 产品标志说明 Marking Instruction



外形尺寸代号：B1型 B2型  
Dimension Code: B1 Style, B2 Style

B值允许偏差代号（±1%时省略）  
Allowable B Value Tolerance Code (Annotation omitted for ±1%)  
E: ±0.5%, F: ±1%, G: ±2%

B值: 3650K B Value: 3650K

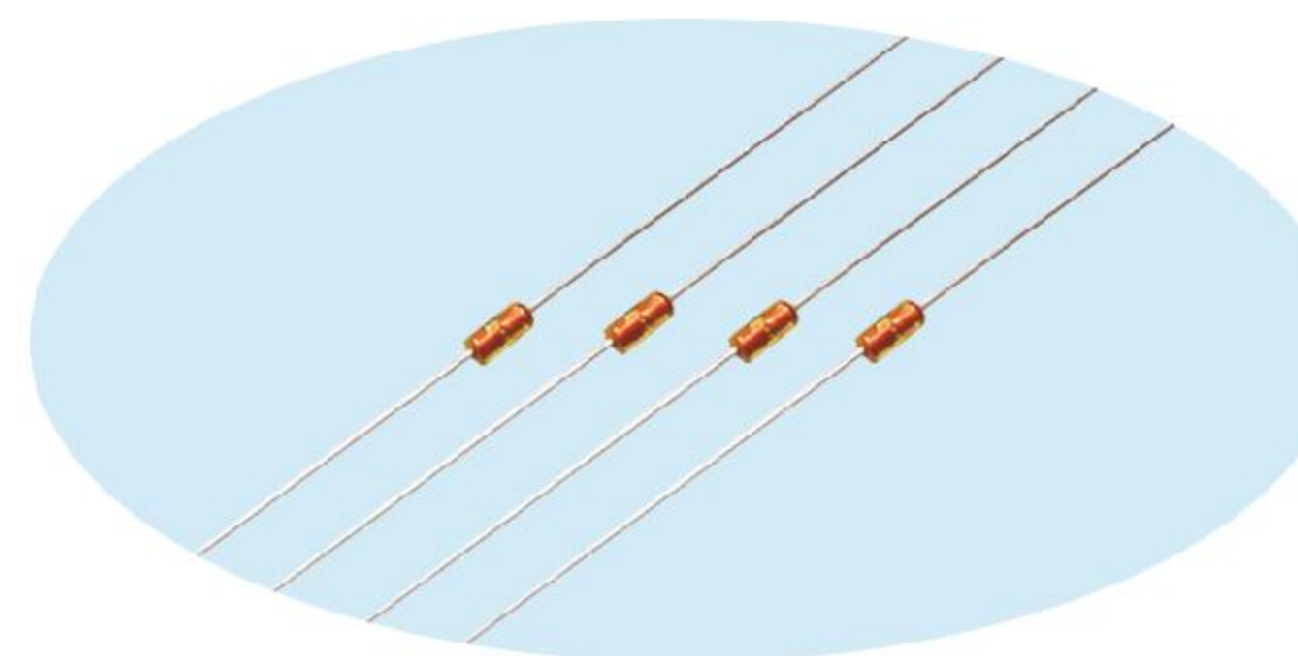
阻值允许偏差代号：F: ±1%, G: ±2%, H: ±3%, J: ±5%, K: ±10%  
Allowable Resistance Value Tolerance Code: F: ±1%, G: ±2%, H: ±3%, J: ±5%, K: ±10%

额定零功率电阻值：502为5KΩ  
Rated Zero-Power Resistance Value: 502 represents 5KΩ

型号 Type

通过AEC-Q200检测

Passed AEC-Q200 Testing



江苏省高新技术产品  
High-Tech Product in Jiangsu Province

● 安规认证 Certifications



UL1434认证  
UL1434 Certification  
(File# E240991)



CQC 认证  
CQC Certification  
(File# 09001033986)



TUV 认证  
TUV Certification  
(File# R50245892)

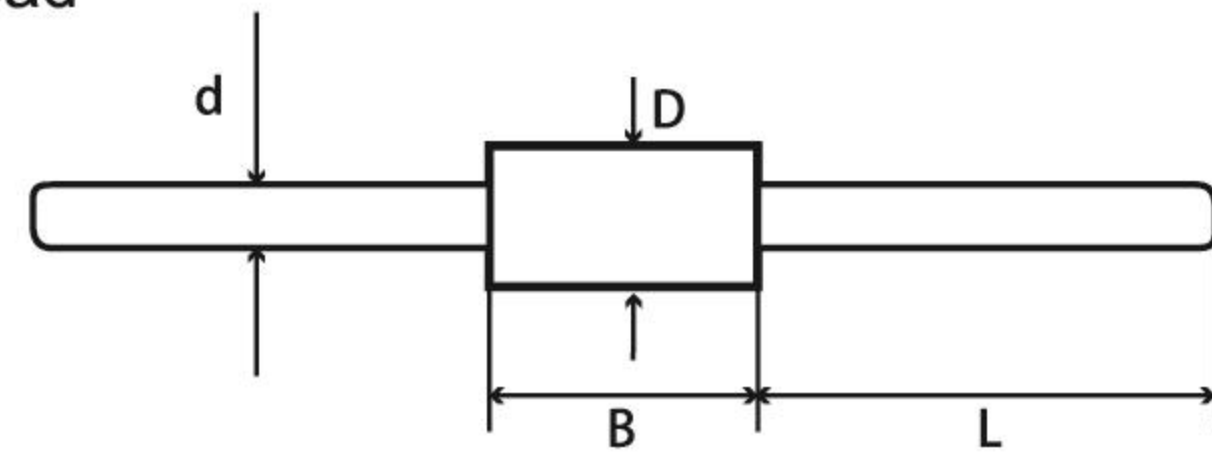


**MF58玻封测温型NTC热敏电阻器系列**

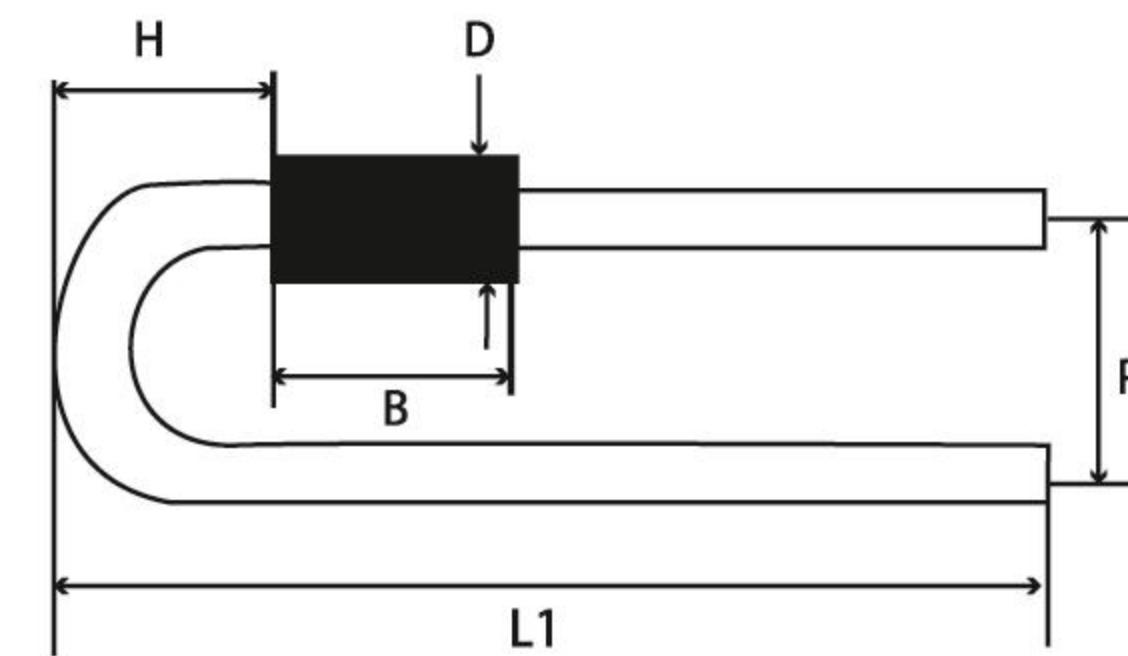
MF58 Series Glass-Encapsulated Temperature-Measurement NTC Thermistor

**● 外形结构和尺寸 Dimensions (mm)**

直线 Straight Lead



折弯 Bent Lead



品种Type	项目Items	代码Code	引线材质Lead wire	d±0.05	D±0.2	B±0.3	L±1	L1±1	H±0.5	P±0.5
常规玻壳直线 Standard Glass-Encapsulated Straight Lead		B1	CP	0.5	1.8	3.7	28	/	/	/
常规玻壳 折弯产品 Standard Glass-Encapsulated Bent Lead		B1	CP	0.5	1.8	3.7	/	10	1.6	2.5
大玻壳直线 Large Glass-Encapsulated Straight Lead		B2	CP	0.5	2.4	4.2	28	/	/	/

**● 主要技术参数 Main Technical Specifications**

型号 Part No.	25°C的零功率电阻值 Zero-Power Resistance at 25°C R <sub>25</sub>		B值 ( 25/50°C ) B Value (25/50°C)		热时间常数约 Thermal Time Constant Approx.	耗散系数约 Dissipation Constant Approx.	25°C时最大额定功耗 Max. Power Rating at 25°C	工作温度 Operating Temperature	绝缘电阻 Insulation Resistance
	阻值范围 Range (KΩ)	允许偏差 Allowable Tolerance (%)	标称值 Nominal Value (K)	允许偏差 Allowable Tolerance (%)	τ(s)	δ(mW/°C)	Pmax (mW)	( °C )	DC/500V ( MΩ )
MF58 - □□□□□ (B1)	0.1-3780	F: ±1 G: ±2 H: ±3 J: ±5	3100-4500	E: ±0.5 F: ±1	12	1.8	50	-55~+250	500
MF58 - □□□□□ (B2)					20	2			