

Pt100、Pt1000铂电阻及其温度传感器

Pt100/Pt1000 Platinum Thermistors and their Temperature Sensors

Pt100、Pt1000铂电阻及其温度传感器

Pt100/Pt1000 Platinum Thermistors and their Temperature Sensors

● 特点 Features

- 采用德国原装进口铂热电阻元件
- 长期稳定性好，宽温度范围内精度很高
- 体积小、耐振动，安装简单
- 与控制仪表相联，能直接显示出被测部分的实际温度

- Utilizing German-imported Platinum Resistance Thermistor Elements.
- Excellent Long-term Stability, High Accuracy over a Wide Temperature Range.
- Compact Size, Vibration Resistant, Easy Installation.
- Connected to the control instrument, capable of directly displaying the actual temperature of the measured area.

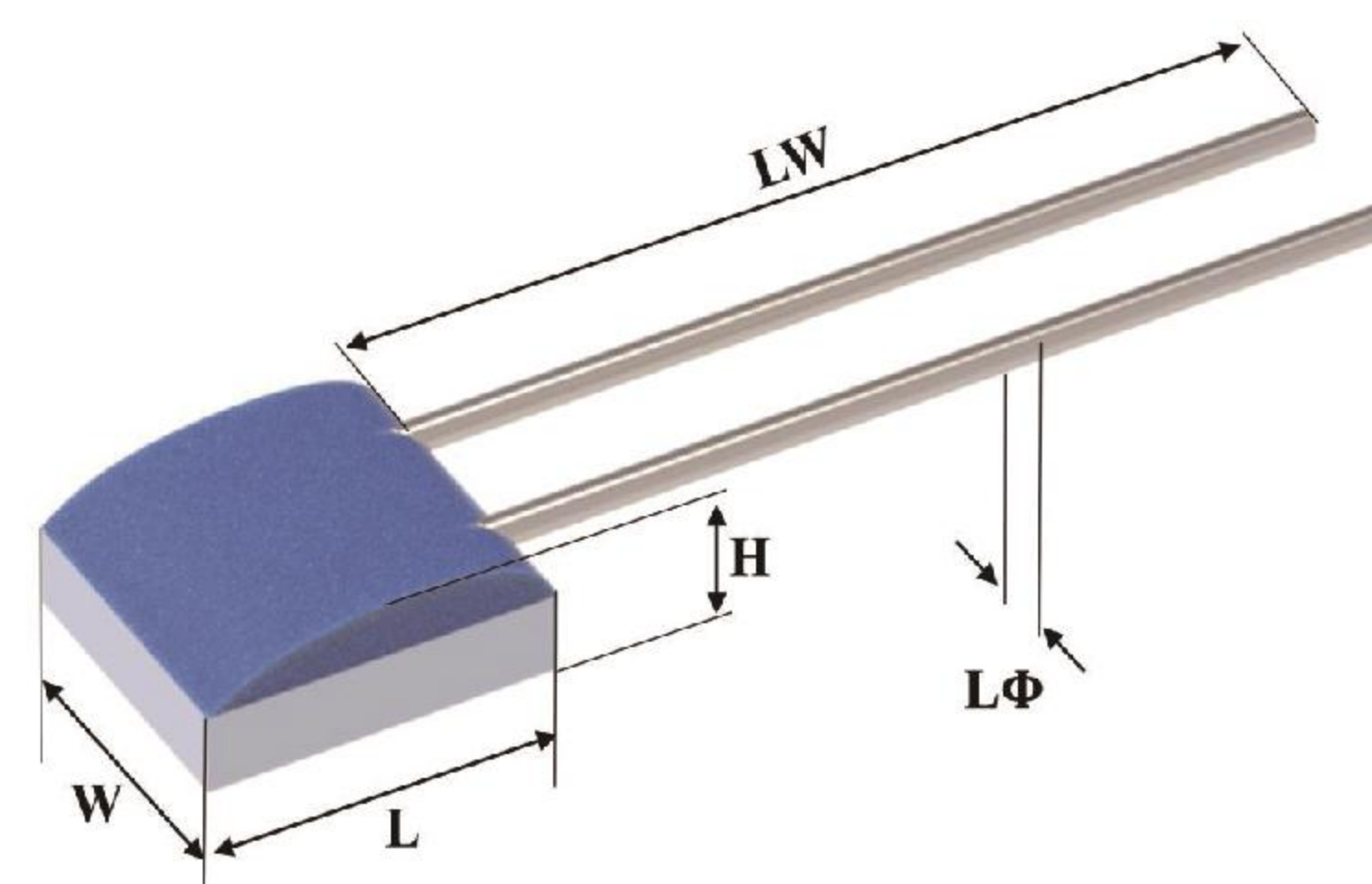
● 应用范围

- 制冷空调系统
- 汽车、铁路机车
- 白色家电、食品加工、纺织设备

● Applications

- Refrigeration and air conditioning systems.
- Automobiles and railway locomotives.
- White goods, food processing, textile equipment.

$H=1.1\pm 0.1\text{mm}$
 $L=2.3\pm 0.1\text{mm}$
 $W=2.0\pm 0.1\text{mm}$
 $LW=10\pm 1\text{mm}$
 $L\Phi=0.2\pm 0.02\text{mm}$


● 铂电阻允差等级 Platinum Resistance Tolerance Grade

允差等级 Tolerance Grade	零度时阻值误差 Resistance Tolerance at 0°C (%)	零度时温度误差 Temperature Tolerance at 0°C (°C)	温度系数α误差 (Ω/Ω/°C) Temperature coefficient α tolerance (Ω/Ω/°C)
AA	±0.04	±(0.10±0.0017 t)	0.003851±0.000004
A	±0.06	±(0.15±0.0020 t)	0.003851±0.000005
B	±0.12	±(0.30±0.0050 t)	0.003851±0.000012
C	±0.24	±(0.60±0.0100 t)	0.003851±0.000024

|t|=温度绝对值，单位为°C |t|= Absolute Temperature Value (°C)

● 产品标志说明 Marking Instruction


引线长度 (单位: mm)
Lead Length (mm)

引线
Lead wires

0°C时的电阻值允差等级: AA、A、B、C
Resistance Tolerance Grade at 0°C: AA, A, B, C

0°C时电阻值R0 (单位: Ω)
Resistance Value R0 at 0°C (Ω)

型号: 铂温度传感器
Type: Pt temperature sensor

举例: Pt100BL3000
 (铂温度传感器 / 0°C时电阻值: 100Ω / 电阻值允差等级: B级 / 线长: 3000mm)

For example: Pt100BL3000
 (Platinum Temperature Sensor / Resistance Value at 0°C: 100Ω / Tolerance Grade: B / Wires Length: 3000mm)